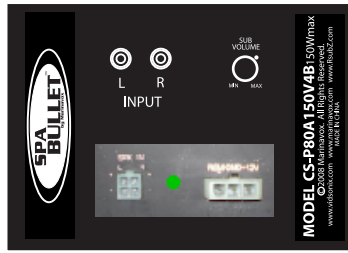
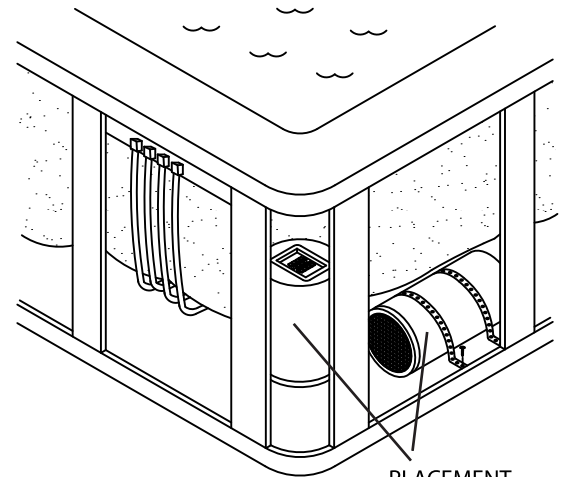




# CS-P80A150V4B/V4B+ REFERENCE SHEET



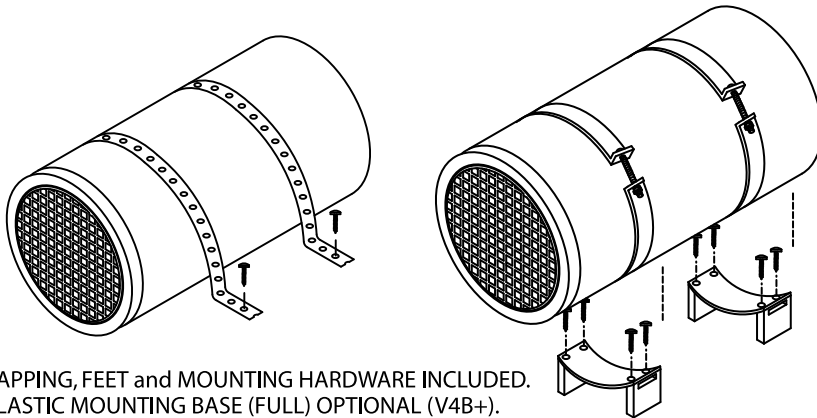
AMPLIFIER



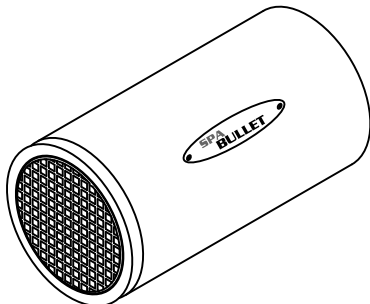
PLACEMENT  
OPTIONS

## POWERED SUBWOOFER SPECS (CS-P80A150V4B)

- Low-Frequency Sub + Amp for Stereo L+R (150W max total)
- 35Wrms / 80Wmax Sub (mono), 16Wrms / 35Wmax x 2 (Stereo) Output
- 8" Treated Long-Throw Woofer
- Awesome Bass
- Speaker Sensitivity: 93dB 1W/1M
- Frequency Response - 20Hz - 20KHz, crossover freq 150Hz
- Dimensions: 8.5" round by 15.5" long
- High Performance Amp with treated/coated PCB for ultra reliability
- Includes strapping, feet, hardware and cables



STRAPPING, FEET and MOUNTING HARDWARE INCLUDED.  
PLASTIC MOUNTING BASE (FULL) OPTIONAL (V4B+).

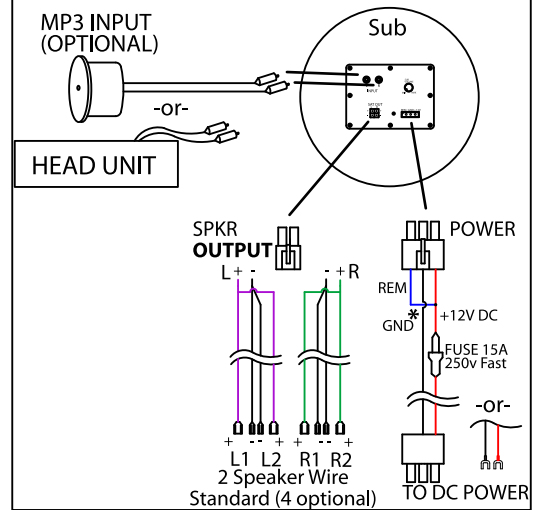


15.5" Version

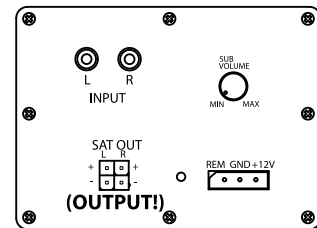
### !ATTENTION!

- Always test the performance of the subwoofer with the spa skirt/sides in place. Otherwise, poor bass performance may result.
- Although rare, please report all subwoofer damages from shipping immediately so that a claim may be made with the carrier. Do not use if there appears to be anything loose inside the subwoofer unit.
- Please call our Troubleshooting Hotline with any questions or suggestions at 1-704-658-9617.

## WIRING SCHEMATIC



## AMP PANEL



**ACTIVE  
(POWERED)**

Note: REM (REMOte - blue wire) is jumpered to +12V DC if not using a head unit. See schematic above.

Connect +12V and GND\* to DC POWER SUPPLY. Green light indicates proper power. **RECOMMENDED** -SETTING- Sub Volume: 90% (3 o'clock)

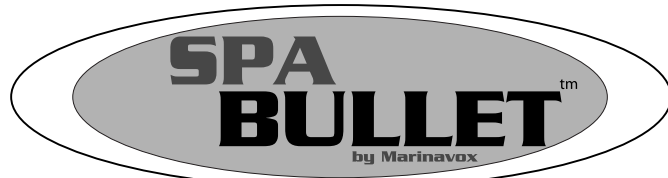
### INPUT OPTIONS:

1. Use FRONT or REAR channel (L,R) RCA LOW LEVEL OUTPUTS from a head unit OR 3.5mm headphone jack to RCA OUTPUTS from MP3, IPOD, or portable AM/FM/CD player into LINE IN on SUB AMP.

### OUTPUT:

1. Use supplied cable to connect satellite speakers. Speaker load should be > 3 ohms per channel.

**HOUSINGS WITH MP3/IPOD  
INPUTS AVAILABLE SEPARATELY.**



www.vidsonix.com www.marinavox.com

Specifications subject to change due to design improvements.

\* CONNECT THE DC GROUND ALSO TO THE AC GROUND OF THE SPA POWER PAK IF YOU ARE EXPERIENCING ANY NOISE ISSUES. REV C.03/09